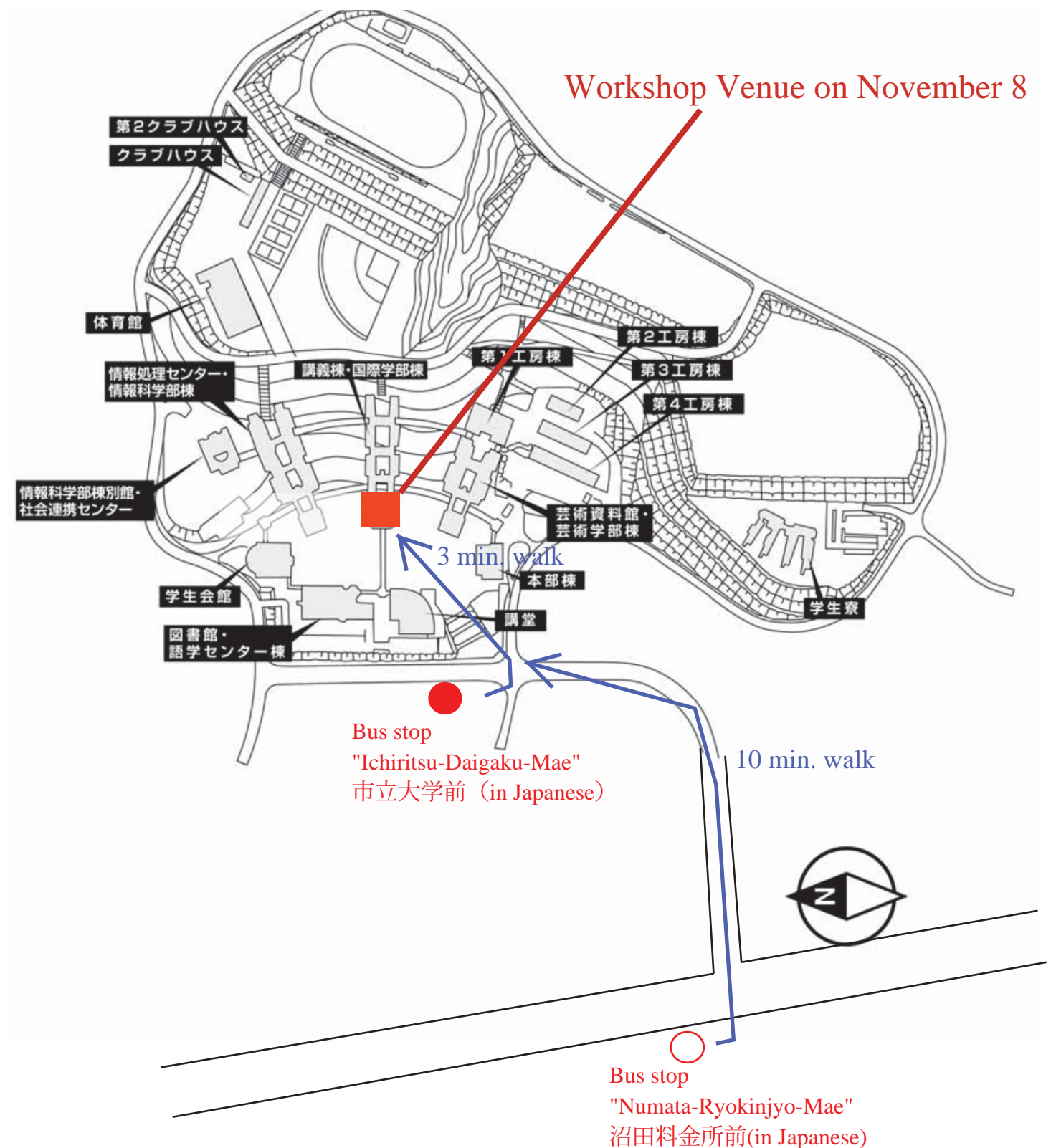


IWCIA2014 Venue Information

Map of Hiroshima City University

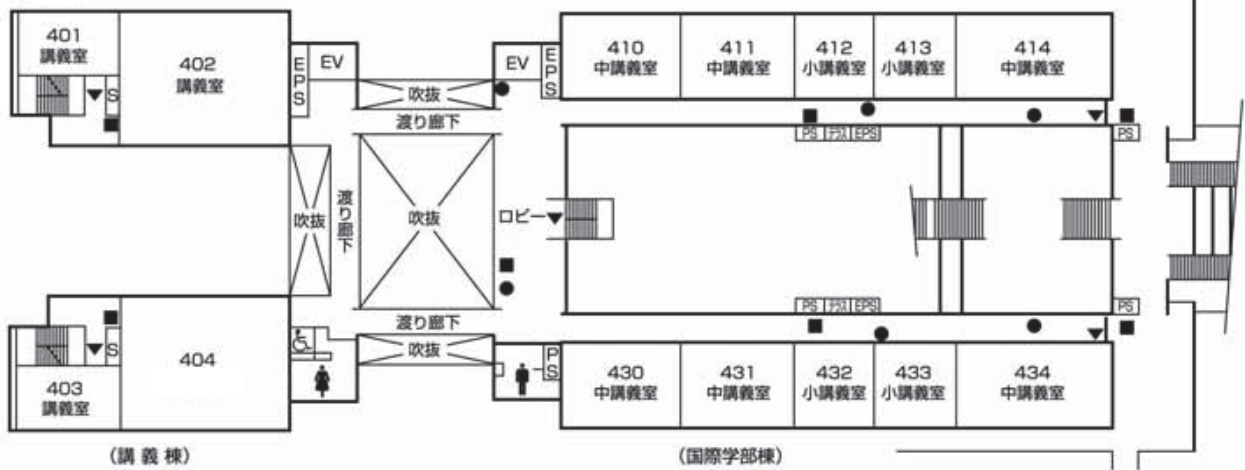




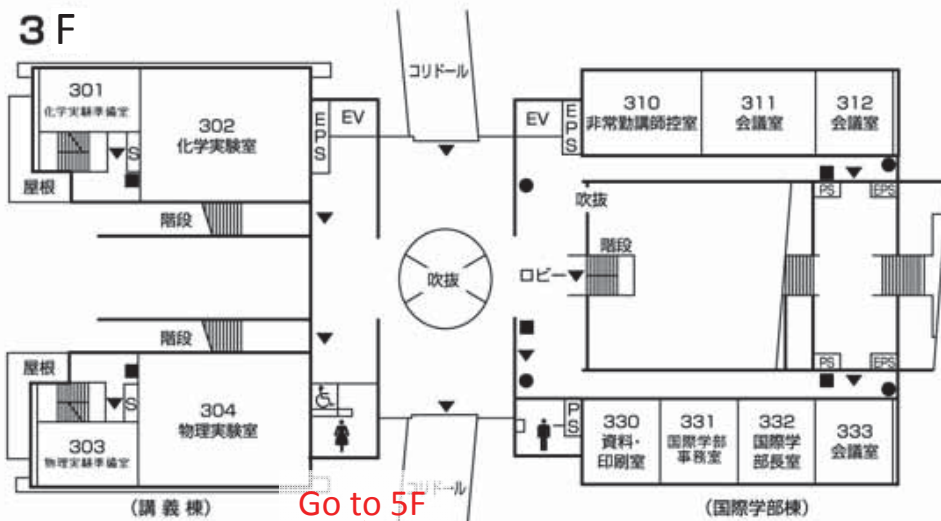
⑪ Lecture Building : IWCIA2014 Venue on November 8

Guide Map of Lecture Building

4F

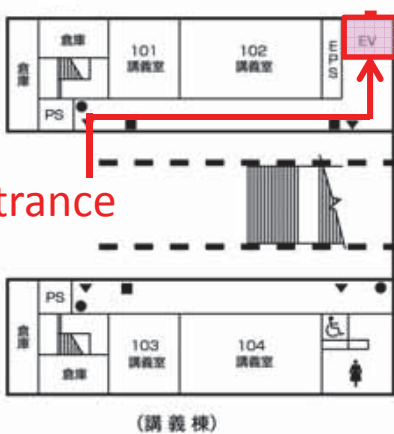


3F



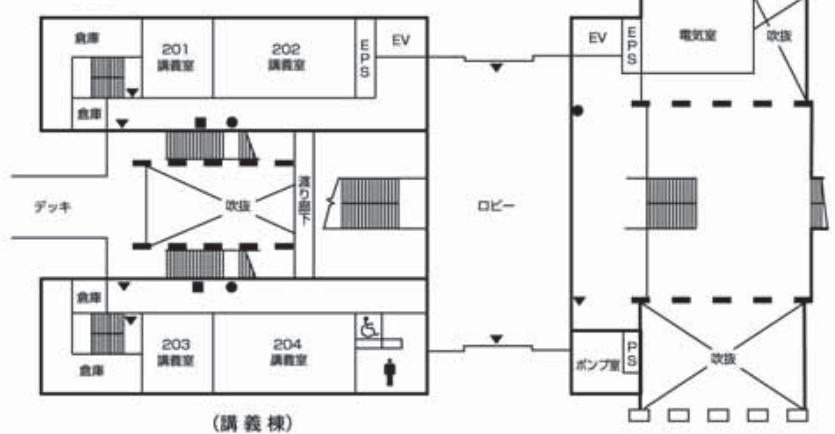
Go to 5F

1F



Entrance

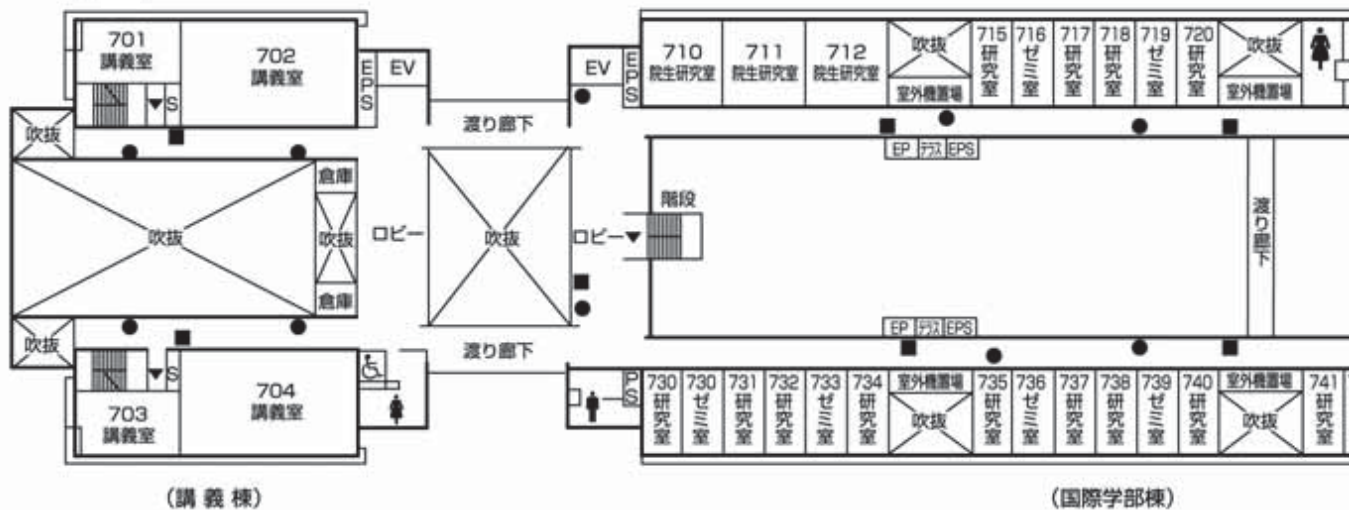
2F



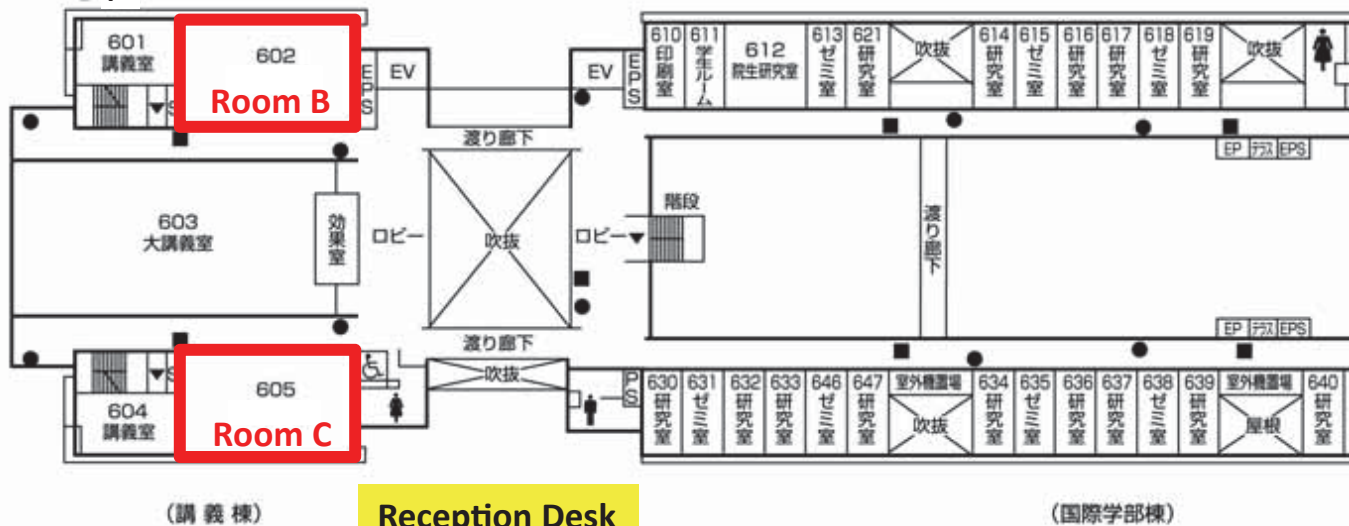
●消火器 ■消火栓・警報器 ○警報器 ▼非常口



7F



6F



5F

