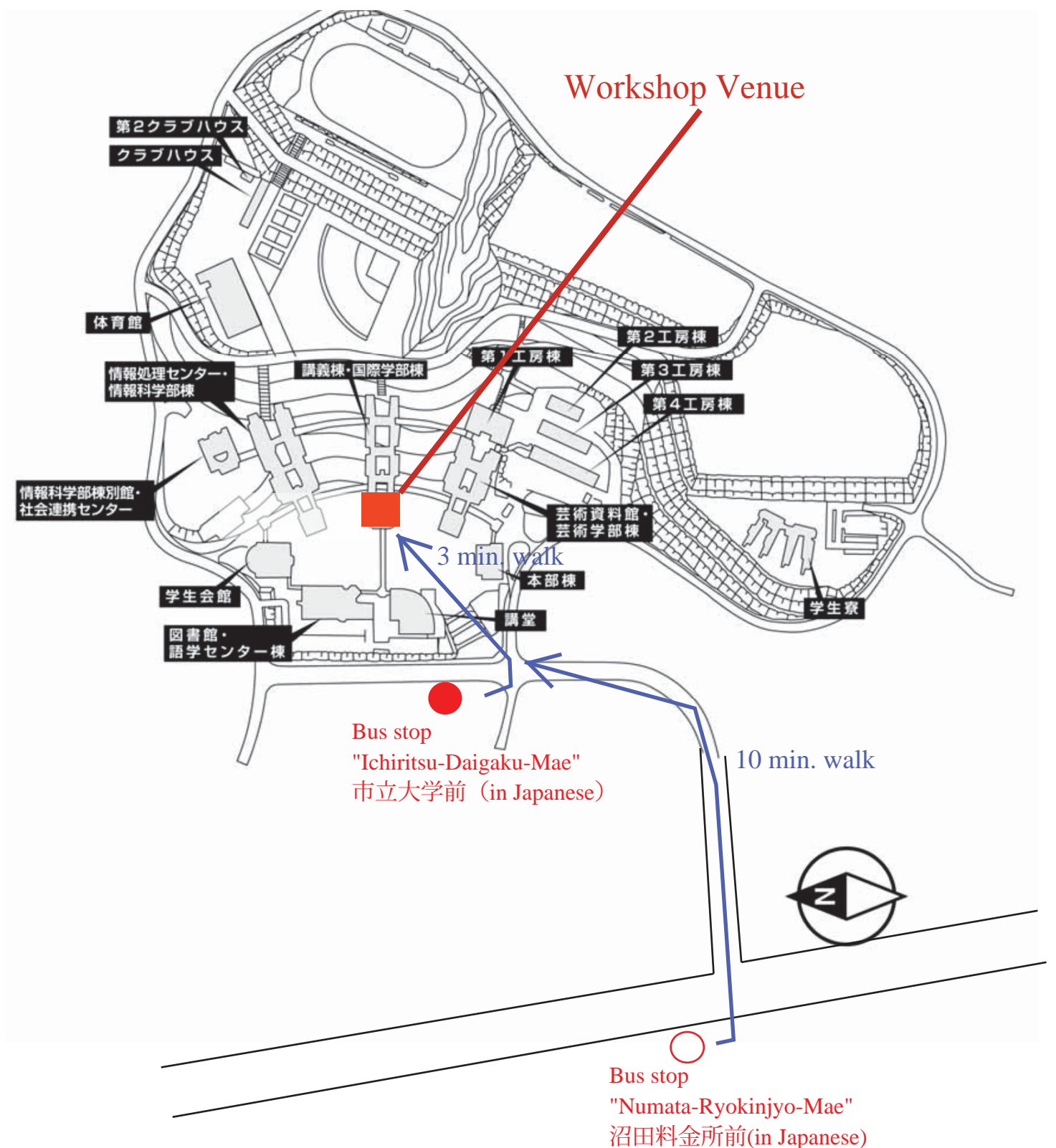


# IWCIA2015 Venue Information

## Map of Hiroshima City University

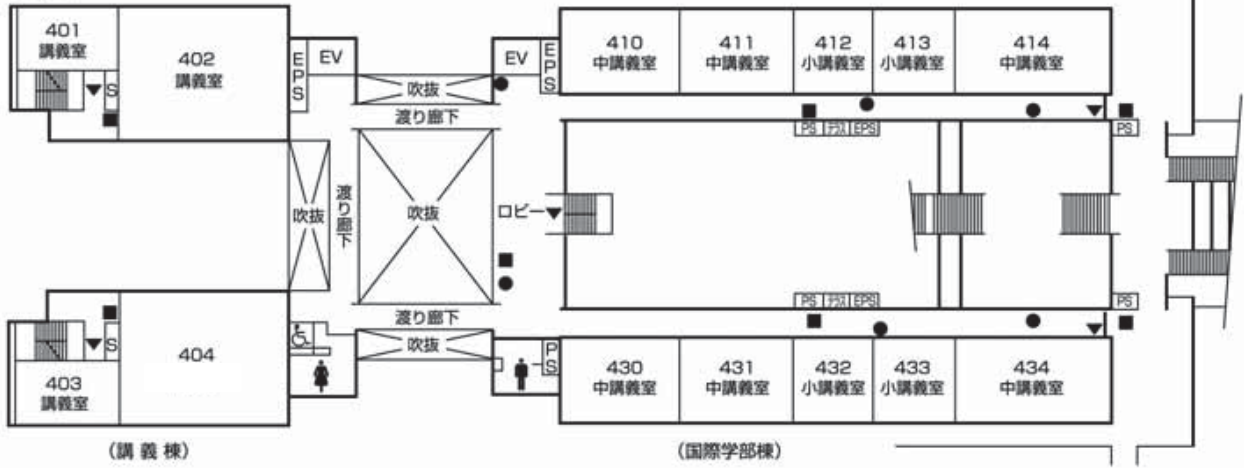




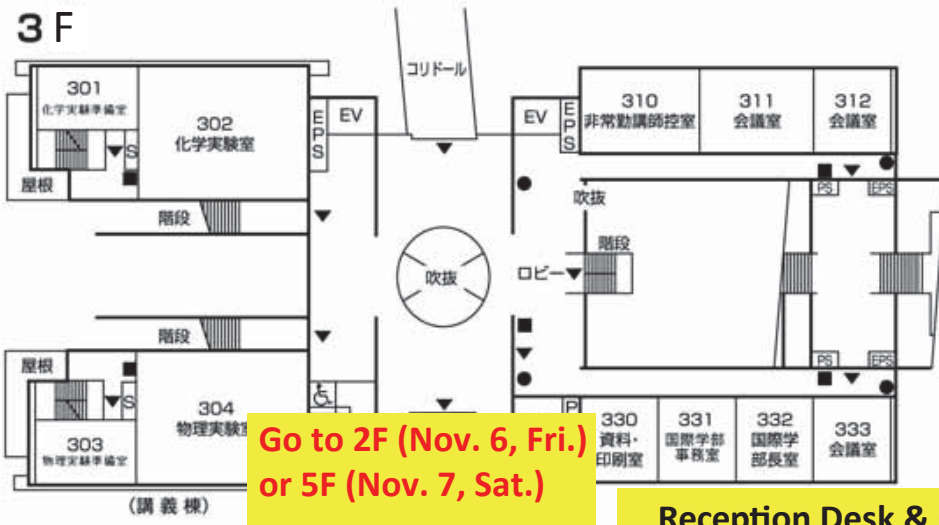
⑪ Lecture Building : IEEE IWCIA2015 Venue

# Guide Map of Lecture Building

4F



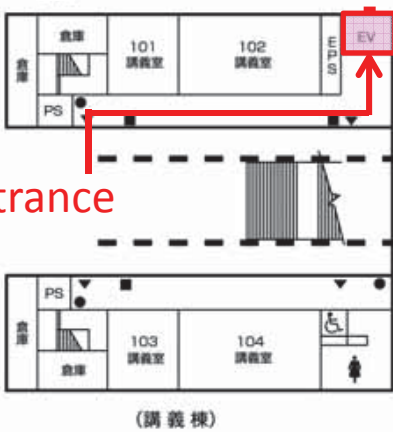
3F



Go to 2F (Nov. 6, Fri.)  
or 5F (Nov. 7, Sat.)

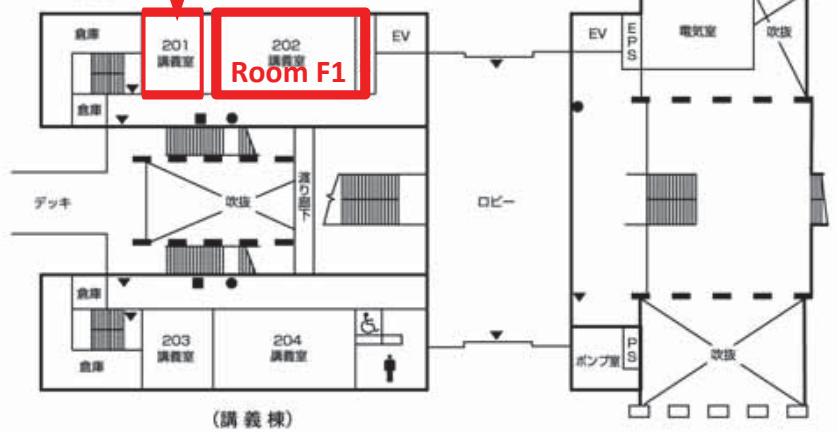
Reception Desk & Coffee Break on Nov. 6 (Fri)

1F



Entrance

2F

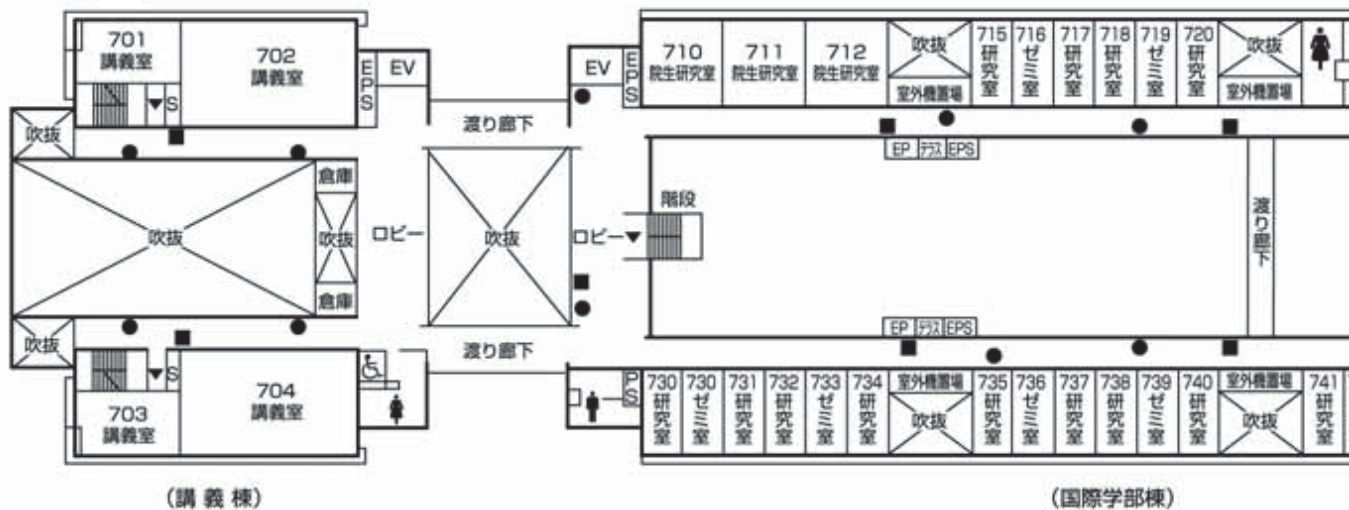


Room F1

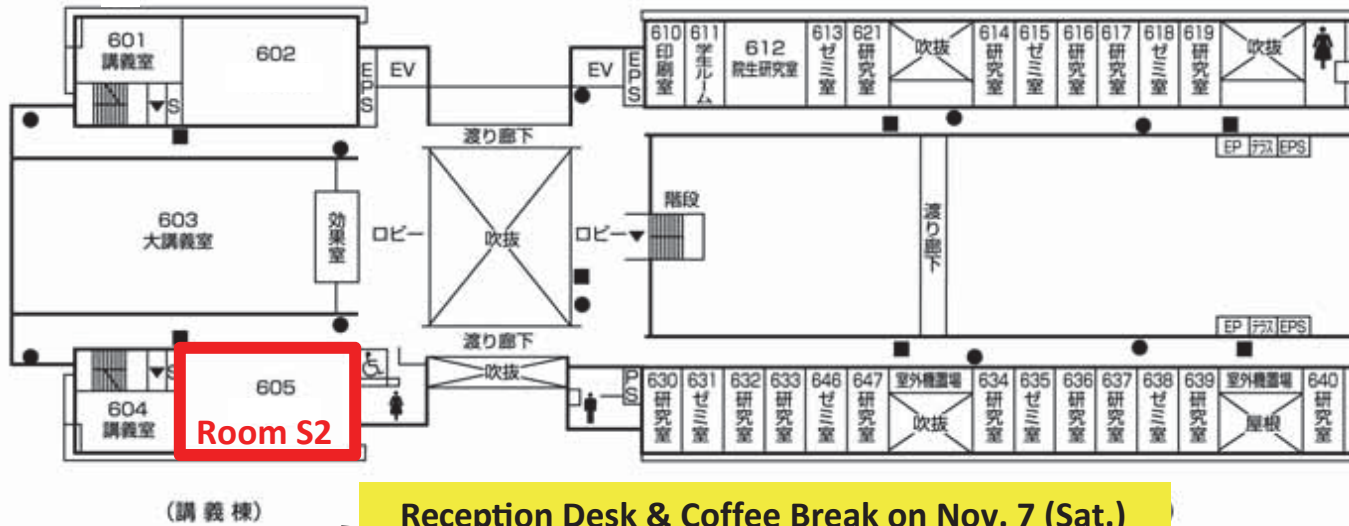
●消火器 ■消火栓・警報器 ○警報器 ▼非常口



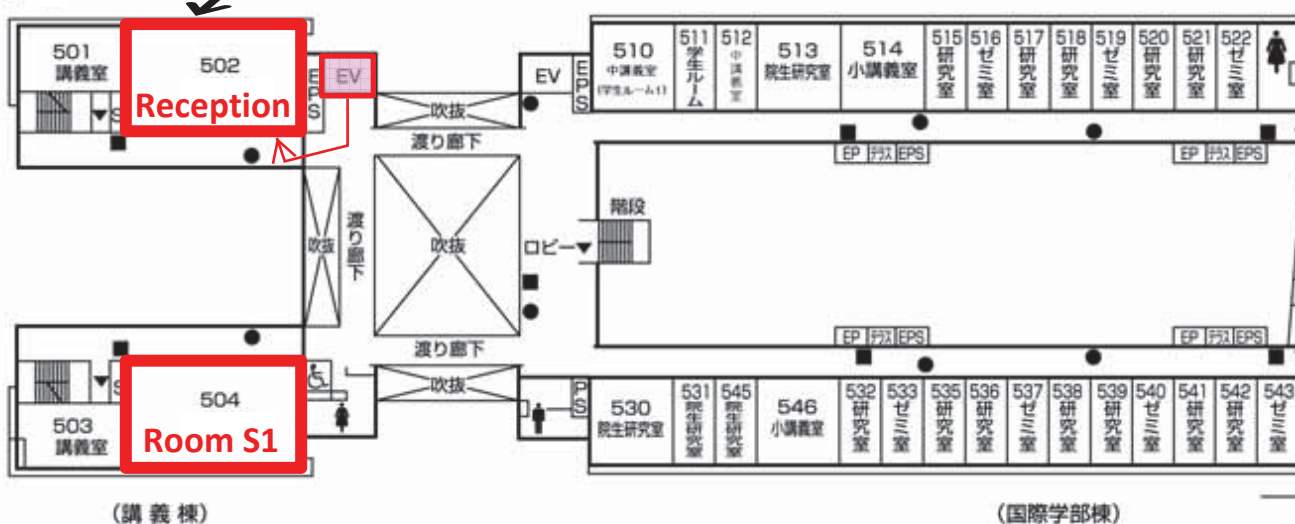
### 7F



### 6F



### 5F



Reception Desk & Coffee Break on Nov. 7 (Sat.)